

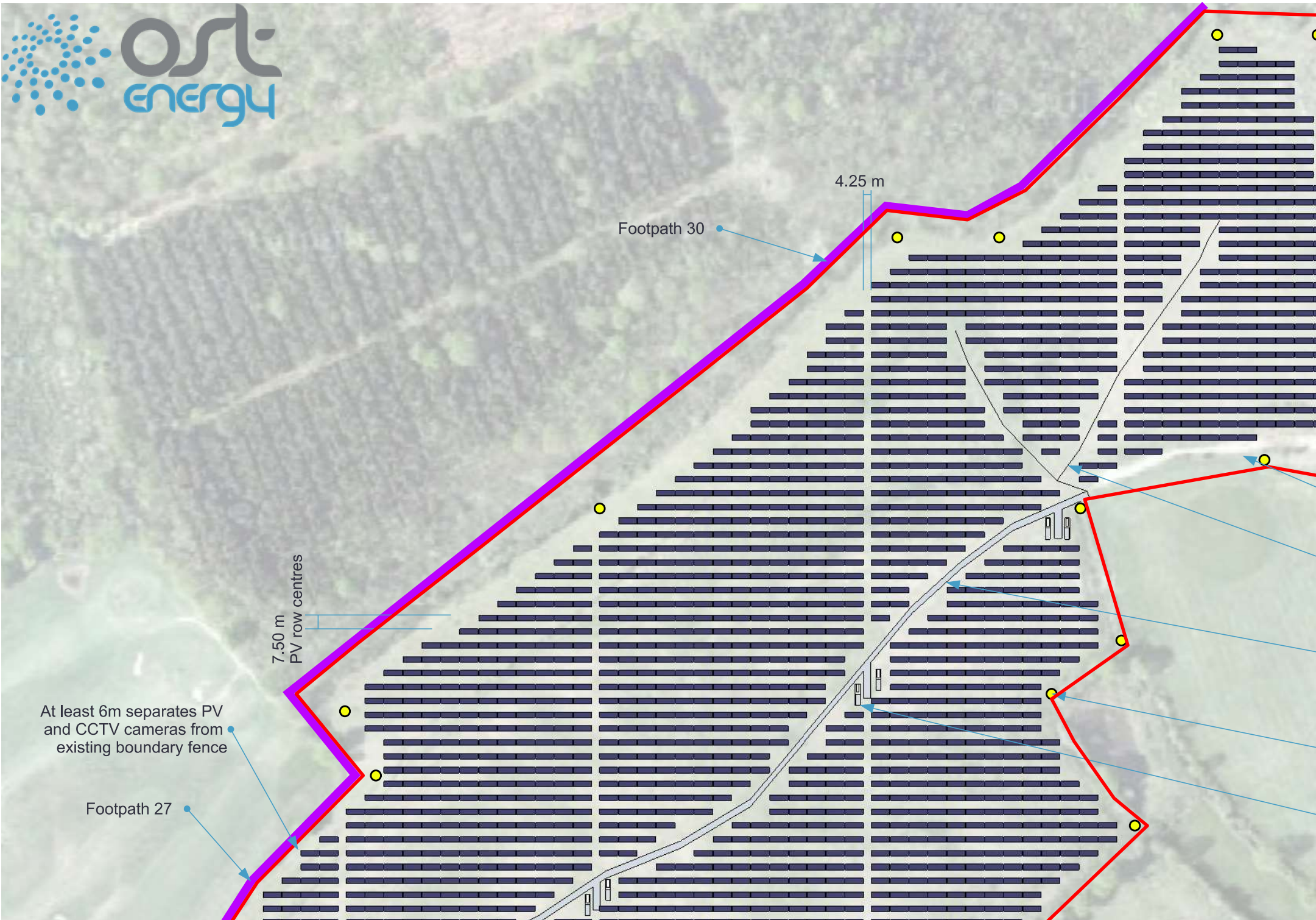
Footpath 30

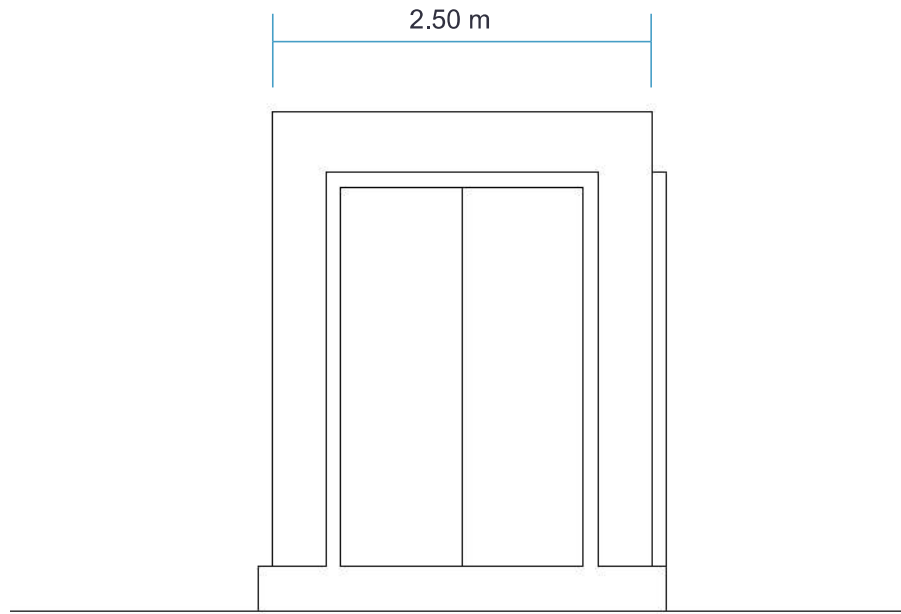
4.25 m

7.50 m
PV row centres

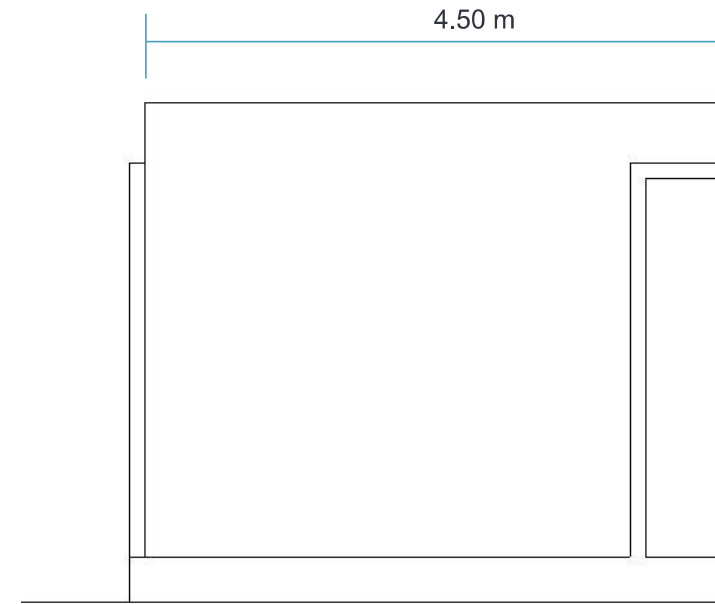
At least 6m separates PV
and CCTV cameras from
existing boundary fence

Footpath 27



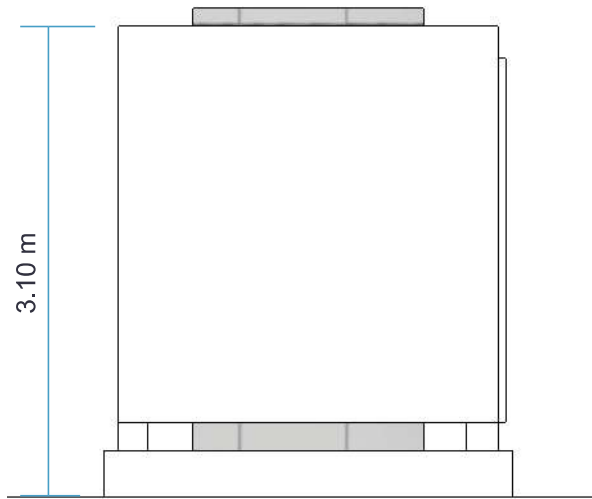


south elevation

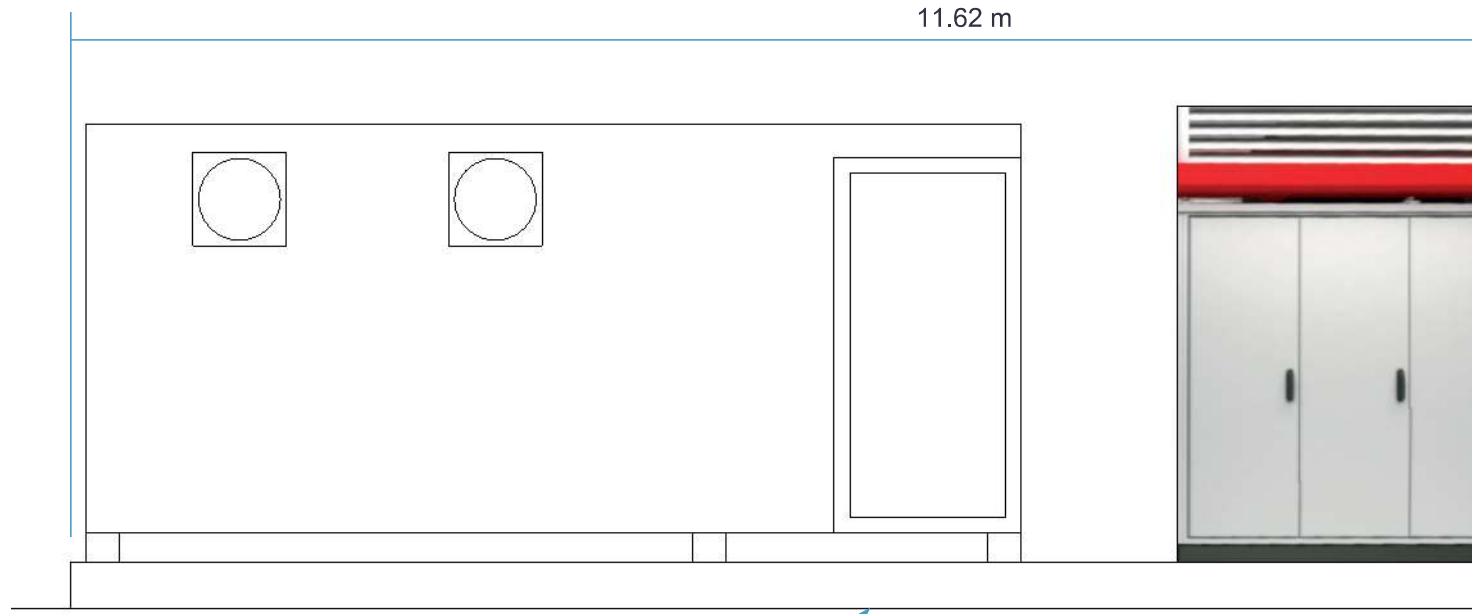


east elevation



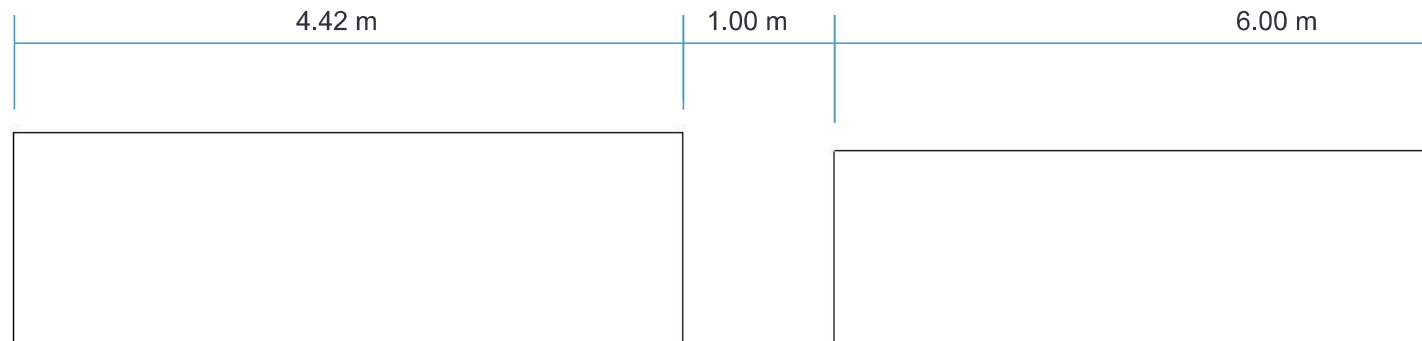


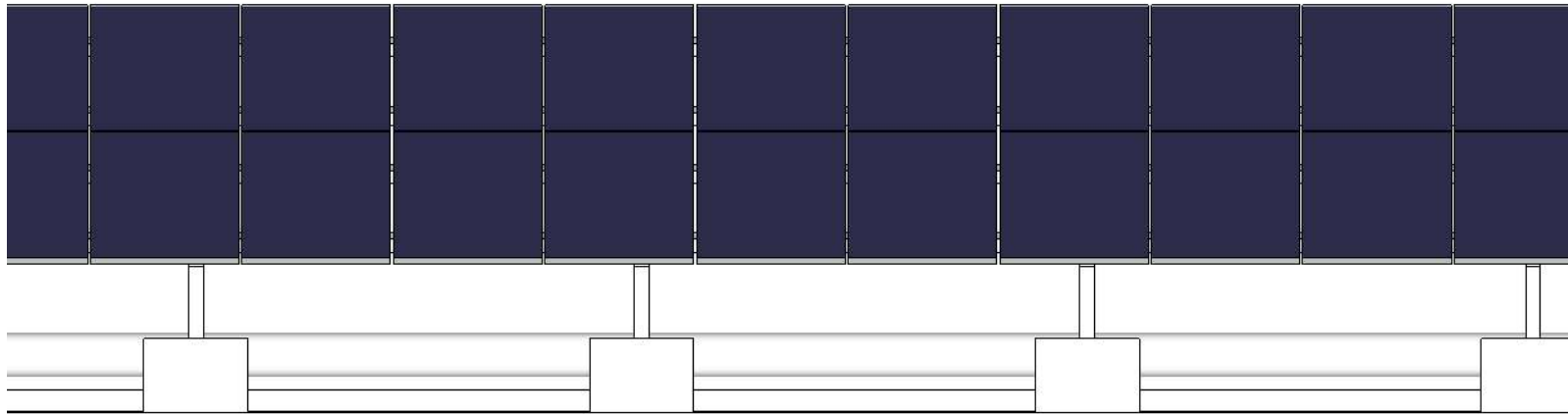
south elevation



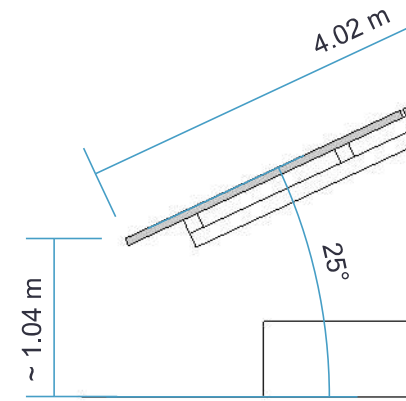
east elevation

0.3m height
foundation

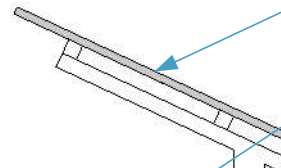


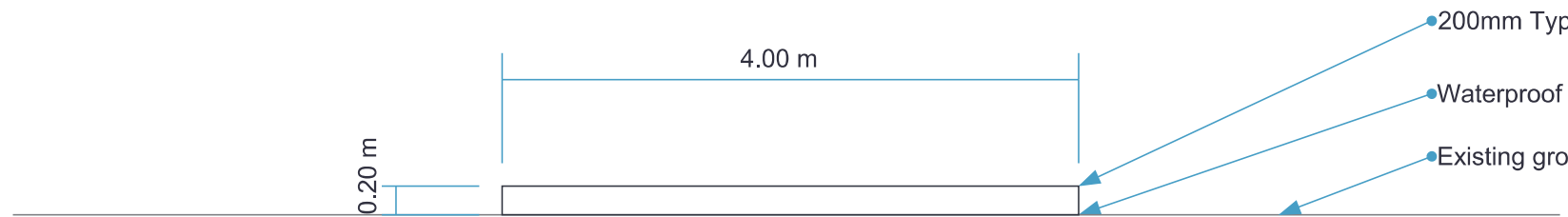


south elevation

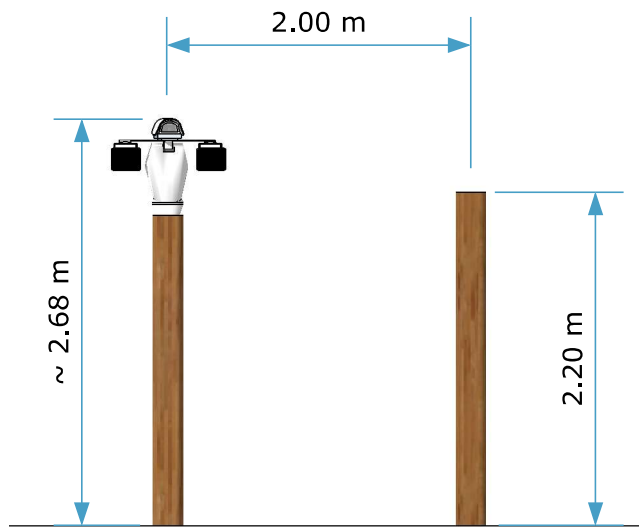


east elevation

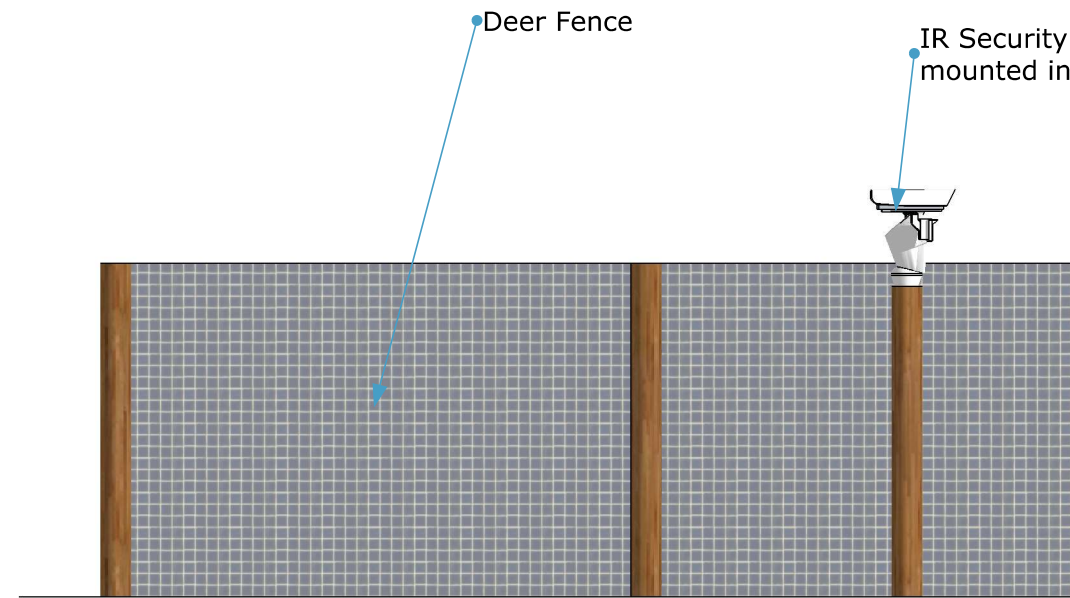




track section



south elevation



west elevation